


GB1237896

Octrooinummer: GB1237896
Publicatiedatum: 1971-06-30
Uitvinder:
Aanvrager:
Classificatie:
 - internationaal: **F23Q2/16; F23Q2/00;** (IPC1-7): F23Q2/16
 - europees: F23Q2/16; F23Q2/16C
Aanvraagnummer: GBD1237896 19680927
Prioriteitsnummer(s): NL19670013274 19670929; US19670691770 19671219

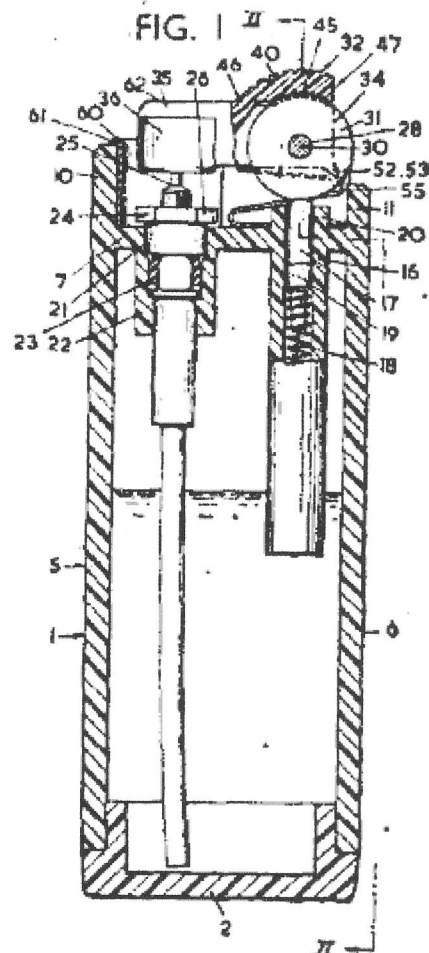
Eveneens gepubliceerd


 DE1782626 (A1)
 CH506754 (A5)
 BE721061 (A)

Report a data error he

Samenvatting van GB1237896

1,237,896. Gas fuelled lighters. VAN POP- PEL N.V. GEB. 27 Sept., 1968 [29 Sept., 1967; 19 Dec., 1967], No. 46073/68. Heading F4F. The closure cap 32 of a disposable gas fuelled lighter is pivoted to the reservoir 1 through a shaft 30 and has an actuating portion 40 which is, during operation, resiliently moved towards a flint wheel 31 also mounted on the shaft 30 to frictionally engage and rotate the wheel 31. The cap 32 may be of resilient plastic with the actuating portion 40 peninsularly connected to the remainder of the cap, or the actuating portion may be rigidly connected with the remainder of the cap and have elongate openings (28, Fig. 3, not shown) for the shaft 30. An over-centre action is imparted to the cap 32 by a Z-shaped leaf spring 55, which also provides resiliency when a rigid cap is used. The flint wheel-engaging surface of the portion 40 may have an arcuate groove therein. The reservoir 1 is translucent or transparent plastic and a heat screen 36 is provided on the cap 32.



Informatie afkomstig uit database esp@cenet - Worldwide