

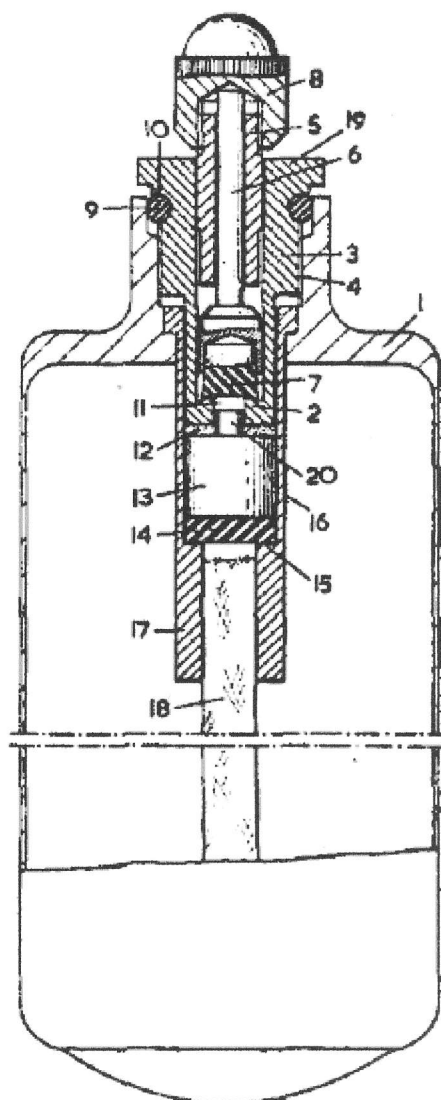
Improvements in and relating to reservoirs including a stop valve and a burner for alow boiling-point liquid

Octrooinummer: GB936187
Publicatiedatum: 1963-09-04
Uitvinder:
Aanvrager: ARNOLDUS MARTINUS JOSEPHUS VAN;
 ALBERTUS VAN POPPEL
Classificatie:
 - internationaal: **F23Q2/173; F23Q2/00;**
 - europees: F23Q2/173
Aanvraagnummer: GB19600002832 19600126
Prioriteitsnummer(s): GB19600002832 19600126

[Report a data error here](#)

Samenvatting van GB936187

936,187. Liquefied-gas fuel lighters. A. M. J. VAN POPPEL, and A. VAN POPPEL, [trading as VENOOTSCHAP OND FIRMA HANDELSONDERNERNING GEB. VAN POPPEL]. Jan. 26, 1960, No. 2832/60. Class 75 (3). A reservoir 1 for a low boiling point liquid fuel for a cigarette lighter has a flow control valve comprising a pad 12 of non-porous material having a resilient fibrous surface. The pad is seated on a cylindrical block 13 axially movable in a fixed sleeve 16 and resting on a rubber disc 14. An adjustable pressure is applied to the pad by rotating an upper sleeve 3 threaded into the reservoir 1. The fuel passes from a wick 18, through grooves in the rubber disc 14, between the cylindrical block 13 and the fixed sleeve 16 and along the spaces between the fibres on the upper surface of the pad 12 to a stop valve 7 opened by the fuel pressure. The fuel is fed to a burner tube 5. The stop valve 7 can be held in closed position by a cap 8 or by a spring-loaded lever in the cigarette lighter.



Informatie afkomstig uit database *esp@cenet* - Worldwide